



# Techno Vector 6

computer-based **3D** wheel aligners

*FREE MOTION*



*Precision in Motion*



## Computer-based wheel aligner with no limits!

- Installation even in space-limited environment (there are no limits on the distance between the lift and the front wall)
- No limits on the width between the lift posts
- Measurement and adjustment at any height of the lift
- Not attached to a certain workplace
- Requires no assembling

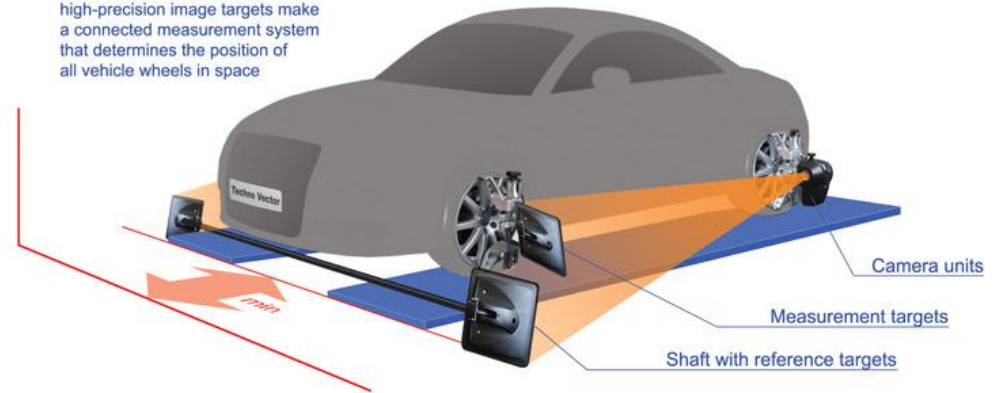


*Techno Vector 6 is designed to check and perform wheel alignment on vehicles with 12 to 24" disks*

3D visualization of measurement results



Two camera units, two measurement targets on front wheels and the shaft with high-precision image targets make a connected measurement system that determines the position of all vehicle wheels in space



## FREE MOTION



High-definition video cameras provide a quick and reliable target "capture" and wireless data transfer to the PC over WiFi



Remote control



Rolling compensation



Techno Vector

